

951A1-03 TELEPHONE SET

IDENTIFICATION, INSTALLATION, AND CONNECTIONS

1. GENERAL

1.01 This section contains information on the 951A1-03 DESIGN LINE* telephone set (*Country Junction**). This set is a simulated antique wall telephone set (Fig. 1).

1.02 This section is reissued to:

- Revise paragraphs 1.01 and 2.04
- Reverse Fig. 2 and 3.

1.03 The customer's premise must be properly wired with an appropriate connecting block to accept the D4BU-29 plug-ended mounting cord.

Warning: Telephone apparatus or wiring shall not be installed in a location where minimum separation from other wiring as specified in Section 460-300-149 cannot be maintained.

2. IDENTIFICATION

2.01 The 951A1-03 rotary dial only equipped telephone set is a new DESIGN LINE telephone set being made available to the public. Although the set comes completely assembled, the customer only purchases the housing and handset shells. The internal transmission and signaling components remain the property of the telephone company.

2.02 The 951AS1-03 telephone housing (customer-owned) is made of Oak Wood and has antique nickel metal trim details. The inside of the set consists of a 951AT telephone unit which is screw mounted through the rear of the telephone set (Fig. 2).

* Trademark of American Telephone and Telegraph Company.

2.03 On the recessed rear of the set are four plastic cord clips which are to be used to store any excess cordage from the mounting cord (Fig. 2).

2.04 The H4EK handset cord is a special antique cloth covered cord with a modular plug on both ends.

2.05 The ringer volume can be adjusted by moving the ringer volume control lever protruding from the bottom front of the set (Fig. 3).

2.06 The handset assembly is a special antique design (Fig. 1).

A. Ordering Guide

2.07 Telephone Set Ordering Information:

Set, Telephone, 951A1-03 (Complete and ready to install.)

B. Component Parts

2.08 The 951A1-03 telephone set is comprised of the following component parts:

- Dial, 8UA
- Cord, Handset, H4EK†
- Jack Assembly (Handset Cord), 616RB
- Handset Assembly
- Cord, Mounting, D4BU-29† (14 feet long)
- Jack Assembly (Mounting Cord), 623P4
- Housing, 951AS1-03
- Ringer, P-Type

NOTICE

Not for use or disclosure outside the Bell System except under written agreement

TABLE A
LINE AND RINGER CONNECTIONS
(951A1-03 TELEPHONE SET)†

WIRE OR LEAD	COLOR	INDIVID. OR BRIDGED	RING PARTY	TIP PARTY		
				NO IDENT GROUND	IDENT GROUND	
					1000Ω	2650Ω
Inside Wire at Conn Blk	R	R	R	R	R	R
	G	G	G	G	G	G
	Y	Y	Y	Y	Y	Y
	BK	B	B	B	B	B
623P4 Line Cord Jack Assy	R	A	A	L1	C	C
	G	L1	L1	A	L2	L2
	Y	G	G	G	G	G
	BK	L2	L2	L2	*	*
Ringer	R	K	K	K	K	K
	S-R	*	*	*	*	L1
	S	*	*	*	L1	*
	BK	L1	G	G	G	G
Line Switch	W	F	F	F	B	B
	G	L1	L1	A	L1	L1
	BL	C	C	C	*	*
	BL-W	A	A	L1	*	*
	BR	L2	L2	L2	F	F
	S	L2	L2	L2	A	A

*Insulated and stored.

†For access to set wiring, refer to paragraph 3.03.

- Unit, Telephone, 951AT
- Unit, Transmitter, T1†
- Unit, Receiver, U3†
- Network
- Line Switch.

2.09 These telephone sets are intended to be used as single line or two-party wall sets,

† Only these items are field replaceable, for all other repairs set must be returned to Western Electric per paragraph 4.03.

however, they can be used on four- and eight-party service if a 28A ringer isolator is provided. For connection information on the ringer isolator, refer to Section 501-375-101.

3. INSTALLATION AND CONNECTIONS

3.01 To mount the 951A1-03 telephone set over a 630-type modular connecting block, proceed as follows.

- (1) Place the mounting template (shipped with set) over the modular outlet and level it.
- (2) Mark two upper and lower mounting holes on each corner of the template.

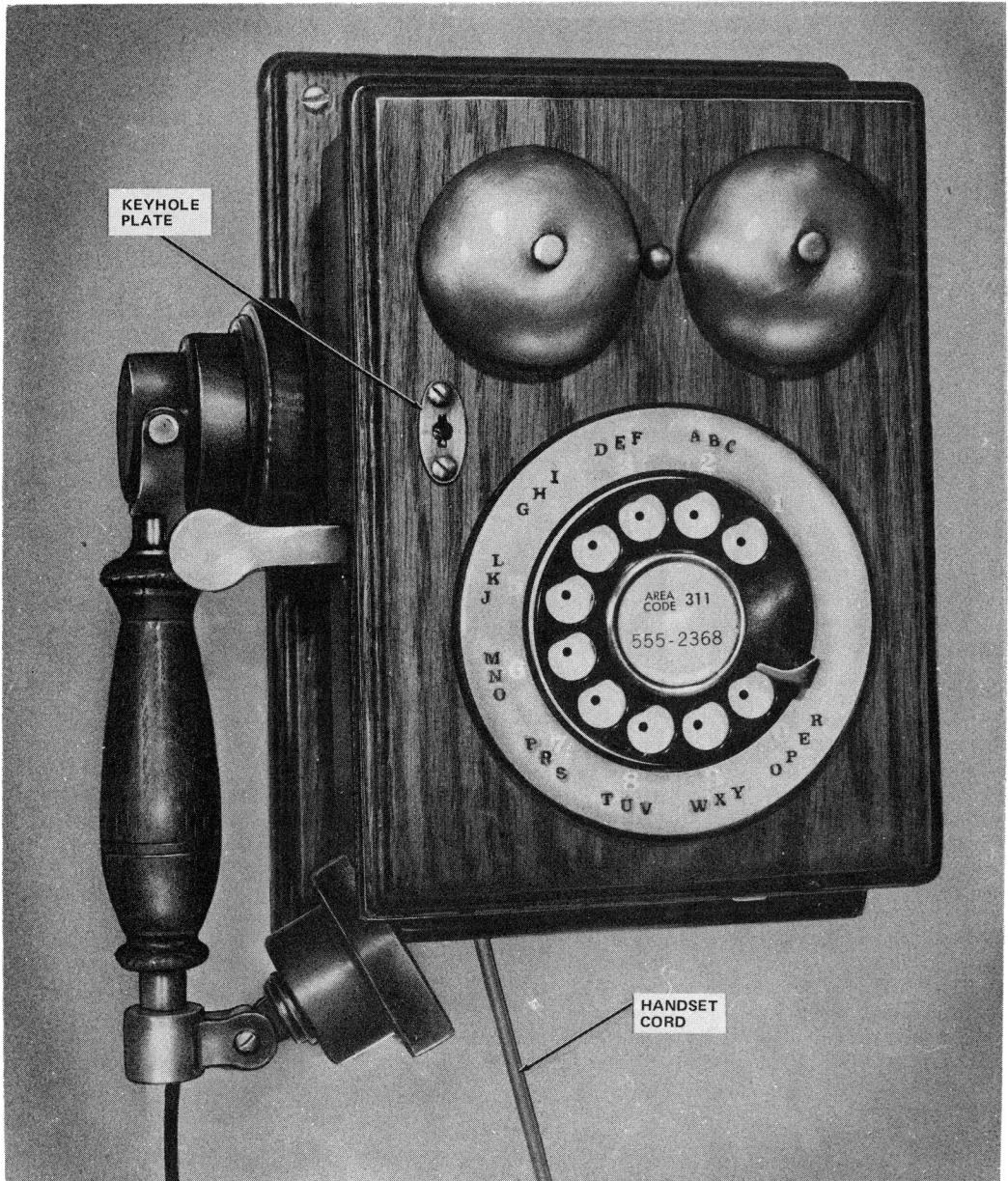


Fig. 1—951A1-03 DESIGN LINE Telephone Set

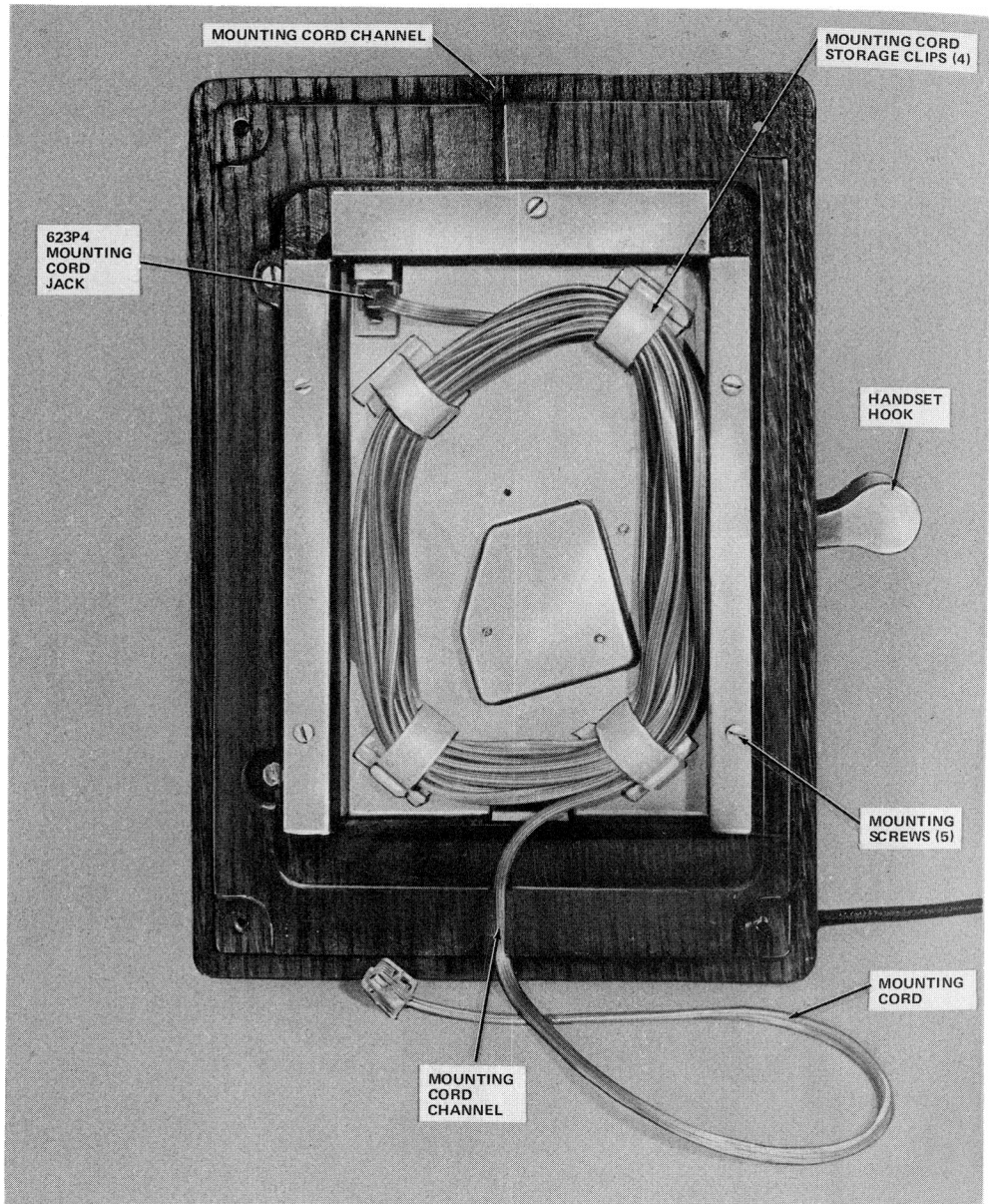


Fig. 2—951A1-03 Telephone Set, Rear View

- (3) Drill four 5/16-inch diameter holes and install the wall screw anchors provided.
- (4) Discard the four screws used to install the wall anchors.
- (5) Wind up the excess mounting cord on the four plastic storage clips on the rear of the set. Leave about six inches of cord loose (Fig. 2).
- (6) Plug in the end of the mounting cord and secure the set to the wall anchors using the four decorative screws and washers provided.

3.02 To mount the 951A1-03 telephone set to a 625-type modular connecting block, proceed as follows.

- (1) Make sure the intended mounting location will allow the 14-foot mounting cord to reach the telephone outlet.
- (2) Place the template at a convenient height and level it.
- (3) Mark the two upper and lower mounting holes on each corner of the template.
- (4) Drill four 5/16-inch diameter holes and install the wall screw anchors provided.
- (5) Discard the four screws used to install the wall anchors.
- (6) Wind up the excess line cord on the four plastic hooks on the rear of the set housing (Fig. 2).
- (7) Dress the mounting cord into the channel on the back of the telephone set (Fig. 2).
- (8) Secure the set to the wall anchors using the set of four decorative screws and washers provided.
- (9) Dress the mounting cord to the 625-type modular connecting block and plug in the cord.

3.03 To gain access to the interior of the set for wiring changes, insert a small standard blade screwdriver into the key-hole plate on the front of the telephone set (Fig. 1) and turn the

screw counterclockwise until the front hinged panel of the housing is released and can be opened (Fig. 3).

3.04 This telephone set is furnished from the factory fully assembled and wired for bridged ringing.

3.05 *Line and Ringer Connections.*

- (1) Refer to Table A for party line connections.
- (2) For adjustments and ringer cut off feature of the P-type ringer, refer to Section 501-259-101.

3.06 Connections for 1A KTS require no telephone set modifications and are wired the same as Fig. 4.

3.07 Connections for 1A1 and 1A2 KTS require moving the brown (BR) line switch lead from L2 on the network to the G terminal as shown in Fig. 5.

4. REMOVAL OF TELEPHONE COMPANY-OWNED COMPONENTS

4.01 When it is desired to discontinue telephone service on the DESIGN LINE telephone set, proceed as follows.

- (1) Loosen the four mounting screws and remove set from wall.
- (2) Unplug and remove mounting cord from telephone set.
- (3) Loosen five screws in back of housing and remove chassis mounted telephone unit.
- (4) Retrieve any other telephone company-owned components that can be easily removed.
- (5) Reassemble housing.

4.02 Follow local procedures for returning company-owned components.

4.03 When it is desired to return a set to Western-Electric for repair, it should be packed using the D-180600 Kit of Parts which contains packing materials and instructions.

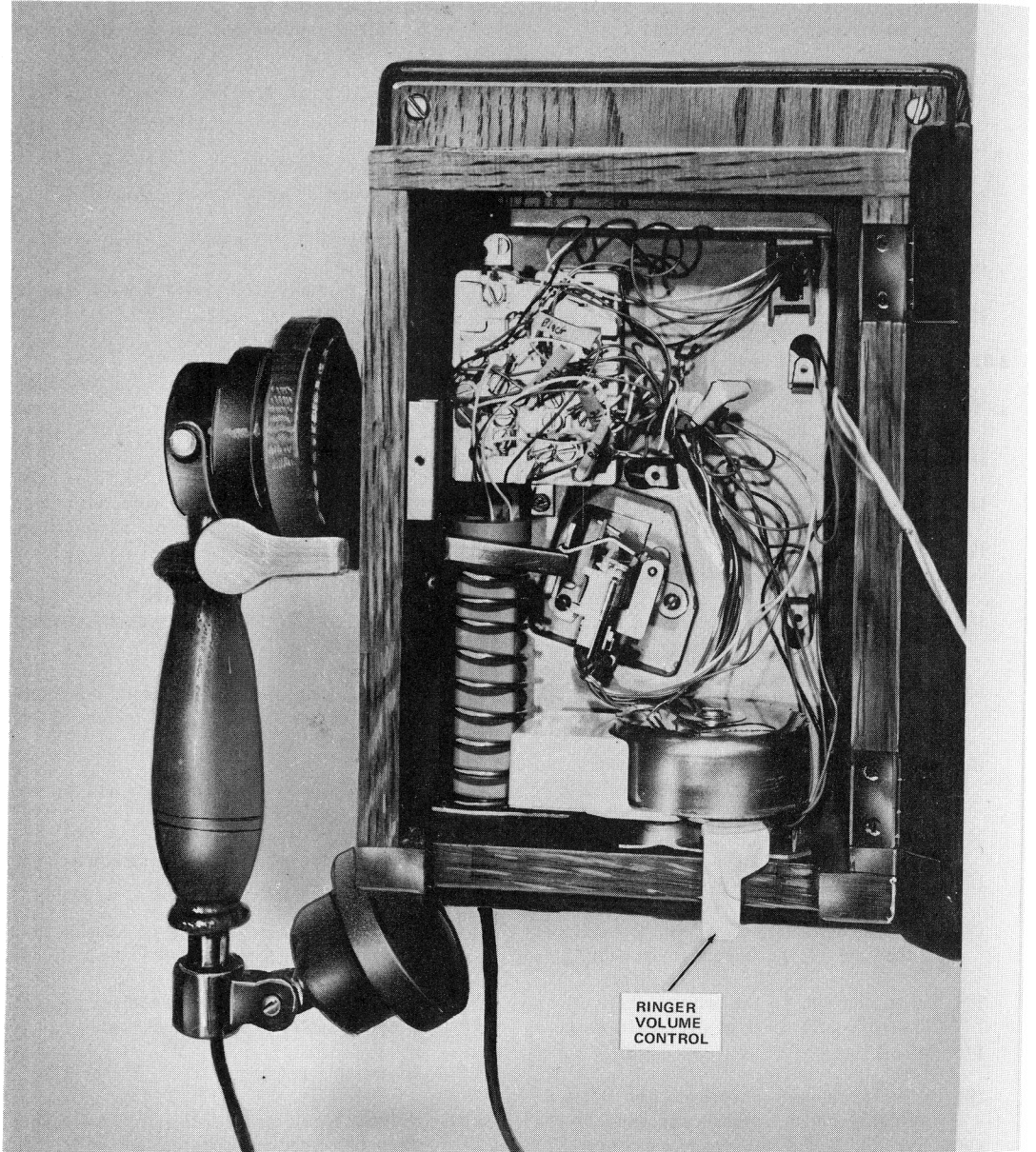
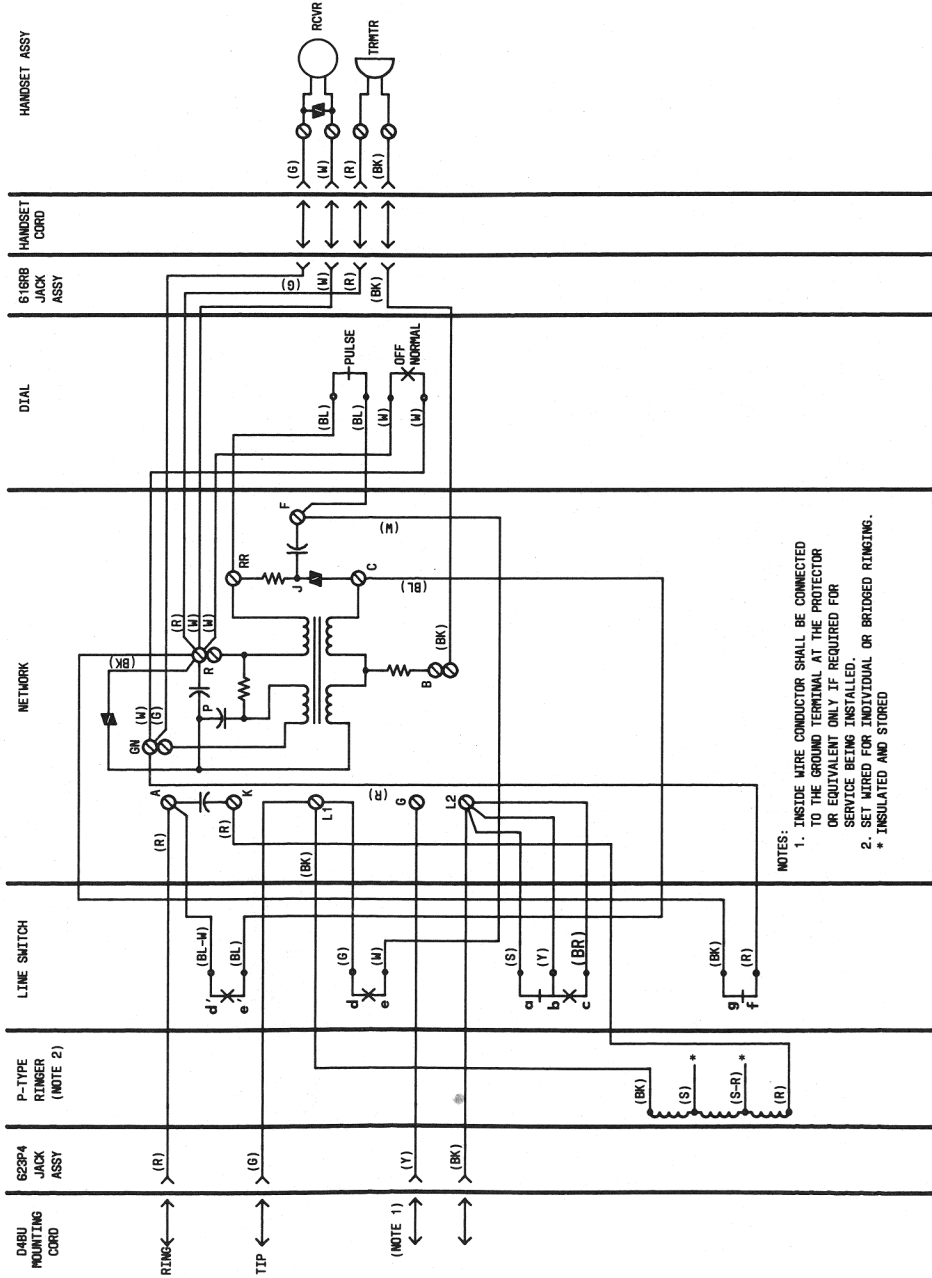


Fig. 3—951A1-03 Telephone Set With Front Panel Door Open



NOTES:
 1. INSIDE WIRE CONDUCTOR SHALL BE CONNECTED TO THE GROUND TERMINAL AT THE PROTECTOR OR EQUIVALENT ONLY IF REQUIRED FOR SERVICE BEING INSTALLED.
 2. SET WIRED FOR INDIVIDUAL OR BRIDGED RINGING.
 * INSULATED AND STORED

Fig. 4—95TA1-03 Telephone Set, Connections

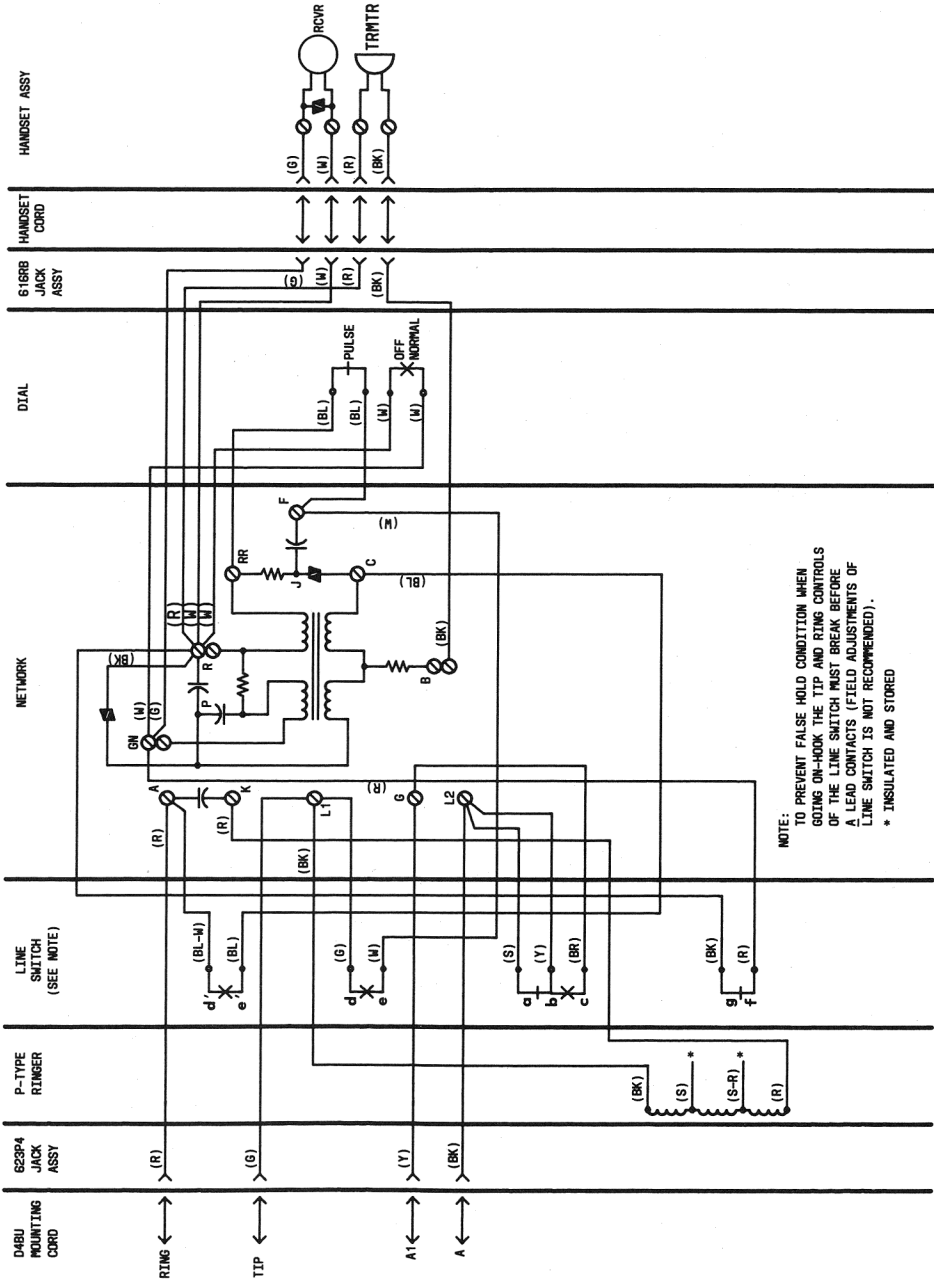


Fig. 5—951A1-03 Telephone Set Connections for 1A1 or 1A2 KTS